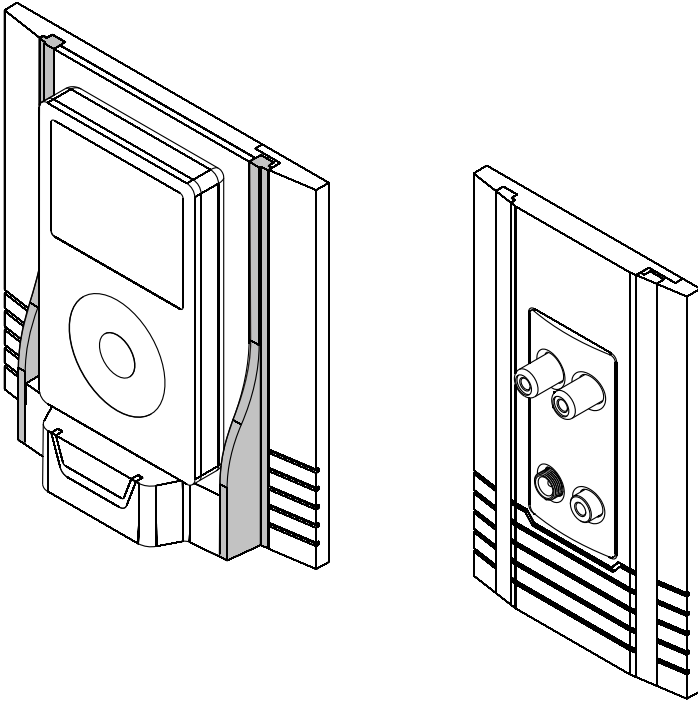


INSTRUCTIONS



A0314D **iBus Wall-Dock for Distributed Audio**



iBus™
BY ● **CHANNEL VISION™**

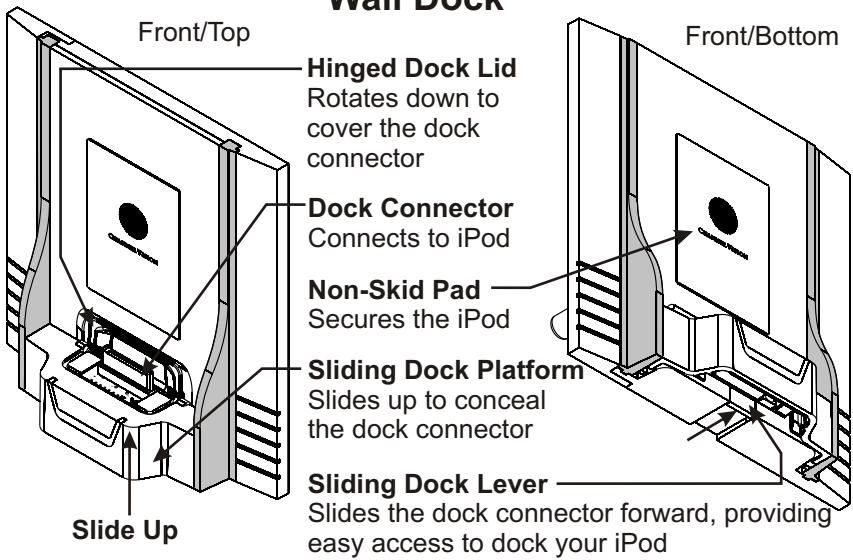
©2010 CHANNEL VISION TECHNOLOGY

The **A0314D** is an on-wall iPod® docking station for distributed audio systems. The dock connector easily adjusts to fit any iPod and has a non-skid pad to help keep the music player secure. With its elegant and contemporary styling, it fits into any home setting and provides the convenience of accessing an iPod from any wall in the home.

Features:

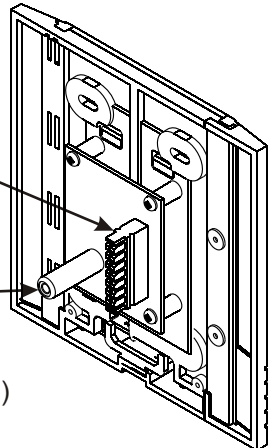
- Supports IR control: compatible with A0505 or Apple Remote
- Built-in IR receiver
- Charges the iPod
- Allows viewing of iPod videos on a TV (see iPod compatibility chart)
- Mounts in a standard 2-gang box

Wall Dock

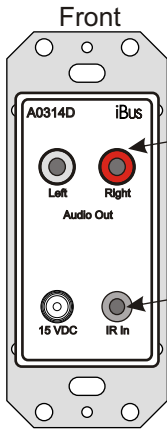


110 Connector
Connect to output wall plate via CAT5 cable (only use one)

Composite Video Output
Outputs video signals from the iPod
Use RG59U coax or CAT5 and a video balun
(Suggested balun model B201 CAT5 video balun)

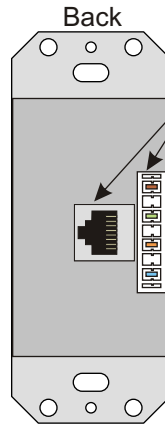


Output Wall Plate



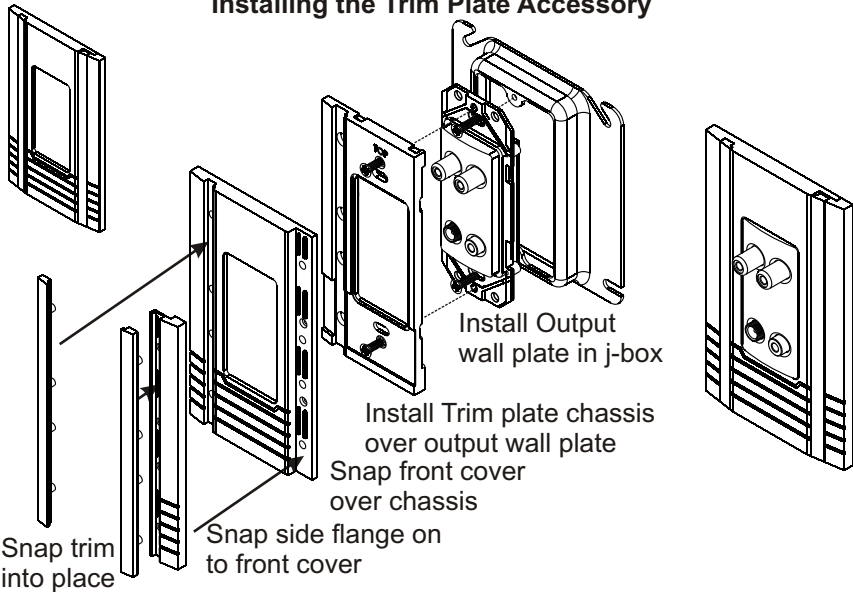
Audio Outputs...
Connect to your amplifier.

IR Input...
Connect an IR receiver, and use the A0505 remote to control your iPod.



RJ-45 & 110 Connectors...
Receive signals from the wall dock via CAT5 cable.

Installing the Trim Plate Accessory



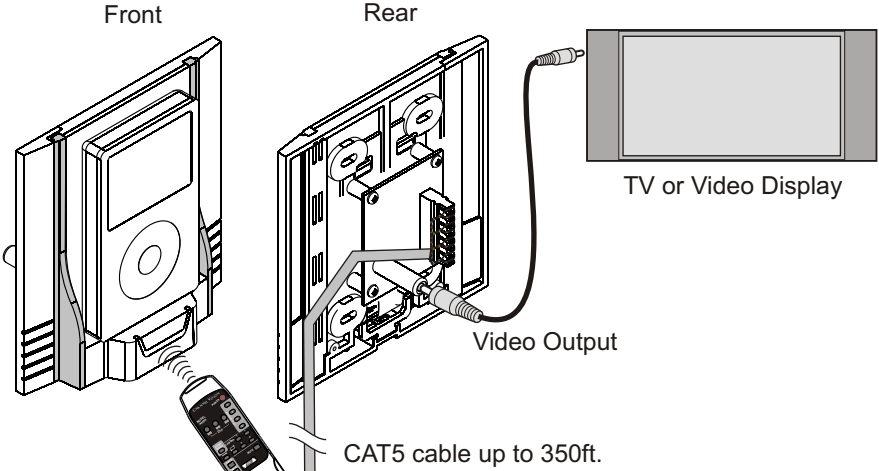
Compatibility

Made For:

- iPod touch (audio only)
- iPod classic (audio only)
- iPod video
- iPod nano (audio only)
- iPod photo
- iPod mini (audio only)
- iPod with dock connector (4th Generation)

Basic Application

A0314D Wall Dock

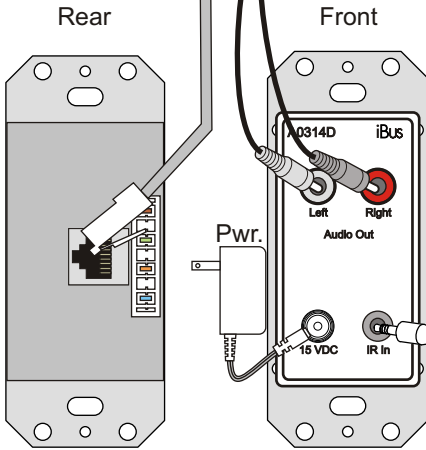


A0505

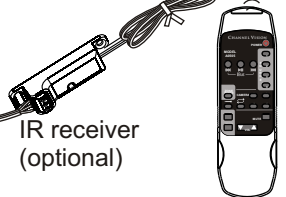
Remote Control

The built-in IR receiver allows the A0314D to be controlled directly by the A0505.

Whole-House Audio System



Note: An IR emitter output from a whole-house IR system can also be connected here. As shown on the following page.



A0314D Output Wall Plate

A0505 Remote

Sample Wiring Diagram: When used with the A4623

